

- Release of Communication Unit - EtherCAT unit (as slave) "CUR-09"

V9 series can communicate as a slave of EtherCAT, which is becoming the standard for Factory Open Network, by attaching a communication unit "CUR-09".

V9 series as a gateway to EtherCAT !

When attaching CUR-09 to V9 series, V9 series can work as a gateway and pass the data between a master device of EtherCAT and other devices connected to V9 series.

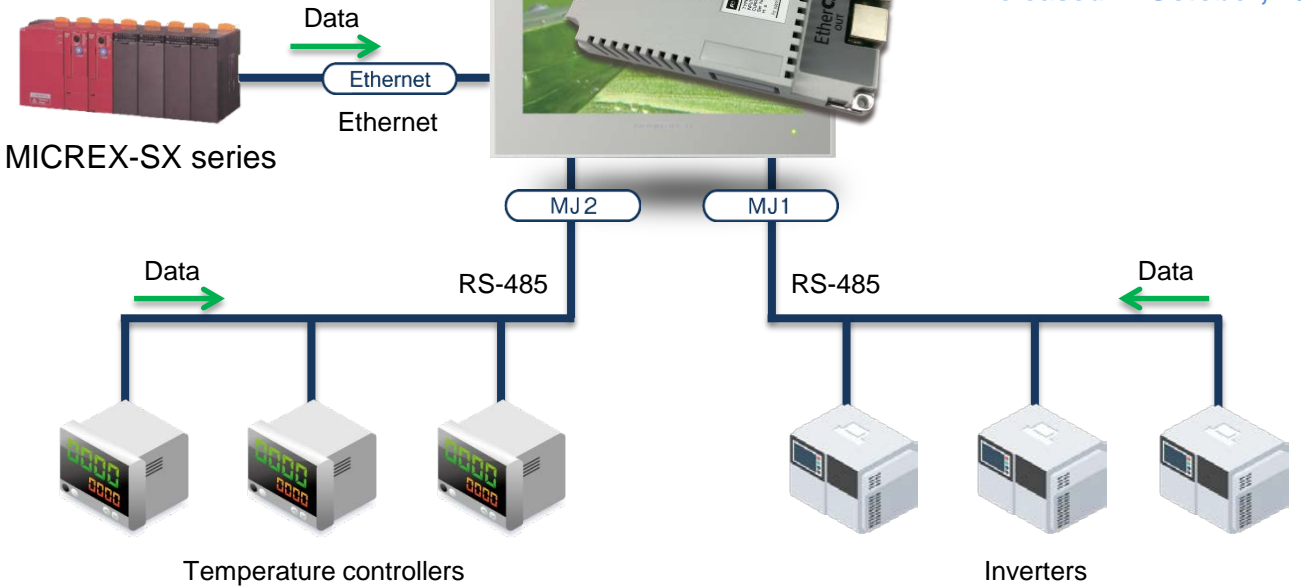
- All of V9 series is supported.
- V9 can connect to a master device of EtherCAT.

e.g. Ethernet } V9 — EtherCAT
 Serial }



EtherCAT®

V9 series can collect the data of each device connected, and pass it to a master device of EtherCAT.



* EtherCAT® is registered trademark and patented technology licensed by Beckhoff Automation GmbH.