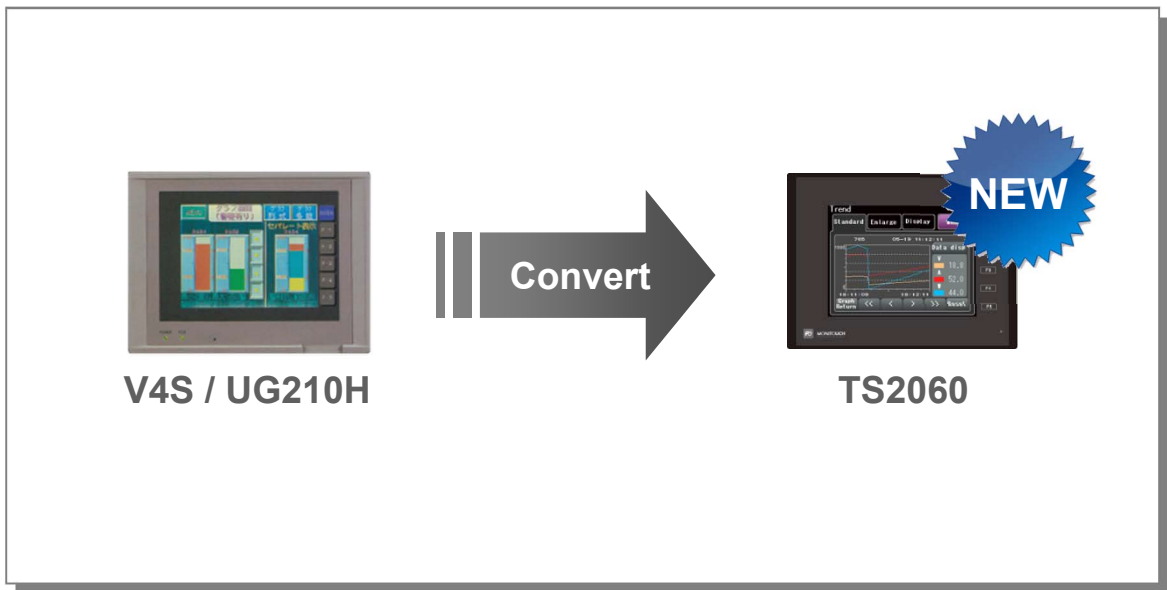


TECHNOSHOT

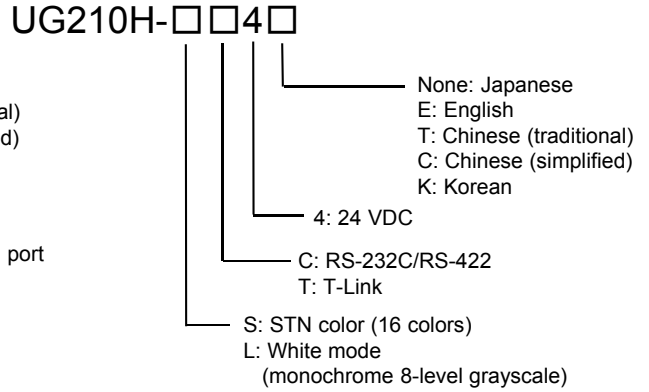
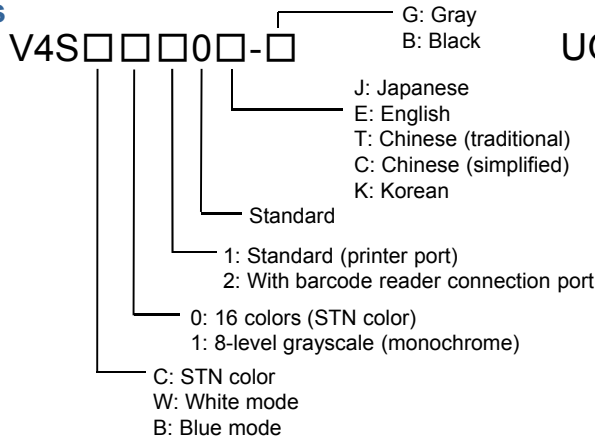
TS2060 Replacement Guidance

V4S/UG210H > TS2060



- V4S/UG210H

- Models



- Main differences

	V4S/UG210H		
	V4SC0x0x-x UG210H-Sx4x	V4SW1x0x-x UG210H-Lx4x	V4SB0x0x-x
Front view			
External dimensions (mm)			
Panel cut-out dimensions (mm) *1			
Display device	STN color	White mode	Blue mode
Colors	16 colors	8-level grayscale	
Effective display area	5.7-inch		
Resolution	320 × 240 dots		
Touch switch	Matrix		
Comm. /IF	Serial	D-sub 25-pin: RS-232C / RS-422/485	
	Network	D-sub 9-pin: RS-232C (barcode) *4 T-Link *5	
Power supply	24 VDC		
Power supply terminal block shape *7	Spade/ring terminal, Screw drive: Phillips		

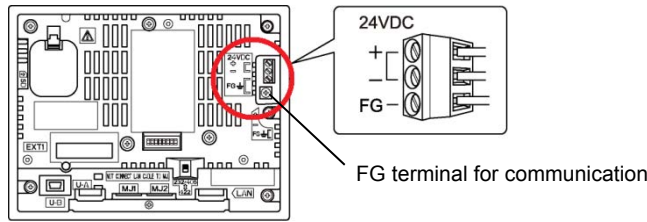
Recommended models for replacement	
TS2060	
TFT color	
Color: 65,536 colors Monochrome: 16-level grayscale	
5.7-inch	
320 × 240 dots	
Analog *2	
MJ2 *3: Modular jack 8-pin RS-232C / RS-422 (4-wire)/485 (2-wire)	
MJ1: Modular jack 8-pin RS-232C / RS-485 (2-wire)	
Communication unit: None *6	
24 VDC	
Pin terminal, Screw drive: Slot	

*1 Use Hako Electronics' mounting panel adaptor "PAD-V606".
 *2 Two points on the screen cannot be pressed simultaneously. For two-point pressing, use a switch on the screen and a function switch.
 *3 When using the existing cable, use Hako Electronics' conversion cable "MJ2-PLC". When connecting with a Mitsubishi A series CPU or QnA series CPU, use "V706-ACPU".
 When connecting with a Mitsubishi FX series CPU (FX1/FX2) or Hitachi Industrial Equipment Systems H series (RS-232C), use TS2060i with the optional unit "DUR-00". When using the existing cable, use Hako Electronics' conversion cable "D9-D25".
 *4 Available only with V4Sxx20x-x
 *5 Available only with UG210H-xT4x
 *6 Use TS2060i with "CUR-01".
 *7 Refer to page 3.

- Power supply terminals

The shape of the terminal block differs. If the power supply cable is connected with a spade or ring terminal, the end of the cable must be modified.
Connect the frame ground (FG) wire for communication to the FG terminal for communication.

- TS2060


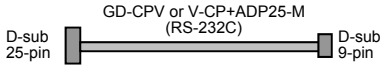


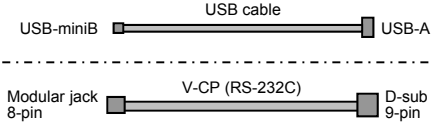


* A flat-head screwdriver is necessary to tighten the screws for the power supply terminals.
Recommended screwdriver: SZS 0.6 × 3.5 (Phoenix Contact)

· Power supply cable specifications

When directly connecting the cable	Power supply cable: AWG 18 to AWG 14, stranded wire/solid wire (diameter: 1.0 to 1.6 mm) FG wire: AWG 20 to AWG 14 Stranded wire/solid wire (diameter: 0.8 to 1.6 mm)
When using pin terminals	Recommended pin terminal: AI 0.75-6 GY, AI 1-6 RD, AI 1.5-6 BK (Phoenix Contact's pin type) Recommended crimping tool: CRIMPFOX 6 (Phoenix Contact)

- Screen program transfer

<p>[V4S/UG210H]</p> 		<p>V-SFT-5 (Ver. 5) Windows 98SE / NT4.0 / Me / 2000 / XP / XP 64 Edition / Vista (32bit, 64bit) / 7 (32bit, 64bit) / 8 (32bit, 64bit) / 8.1 (32bit, 64bit) / 10 (32bit, 64bit)</p>
		
<p>[TS2060]</p> 		<p>V-SFT-6 (Ver. 6.0.16.0 or later) Windows XP / XP 64 Edition / Vista (32bit, 64bit) / 7 (32bit, 64bit) / 8 (32bit, 64bit) / 8.1 (32bit, 64bit) / 10 (32bit, 64bit)</p>

- Screen program conversion

The V4S/UG210H screen program can be converted to the TS2060i screen program by using V-SFT-6 (screen configuration software). When a V4S/UG210H screen program is opened on V-SFT-6, the [Edit Model Selection] window is displayed. Select "TS2060i".
For details, refer to the TS2060 File Conversion Manual.

* The indicated recommended model for replacement can be used with minimal restrictions. Please note that other models not described here can also be used; make a selection according to your system requirements.

Hakko Electronics Co., Ltd.

Overseas Sales Dept.
TEL: +81-76-274-2144 FAX: +81-76-274-5136
<https://monitouch.fujielectric.com/>