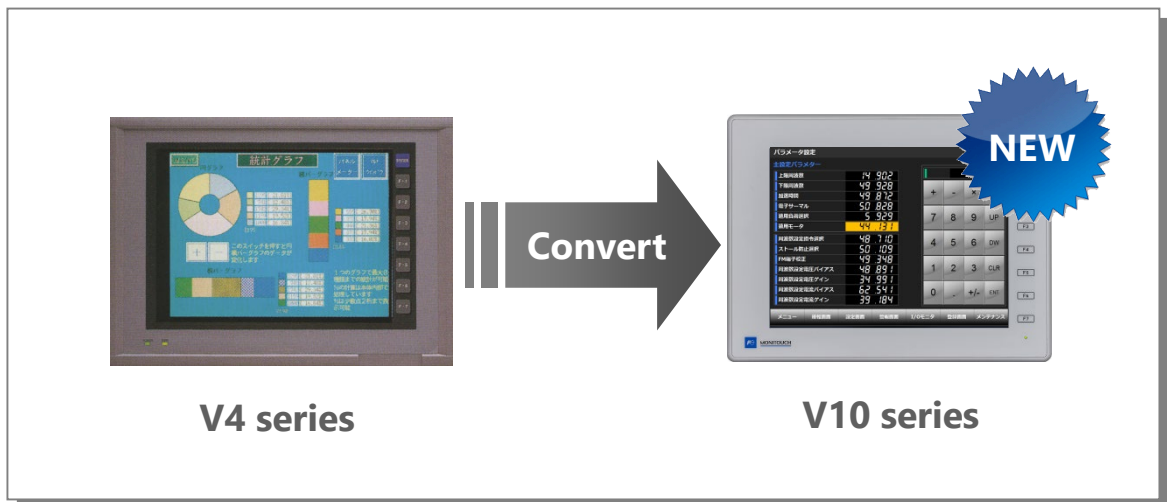


MONITOUCH

V10 Replacement Guidance [V4 series]



[- List of Recommended Replacement Models](#) [Page 2](#)

[- Configuration Software](#) [Page 5](#)

[- Screen Program Conversion](#) [Page 5](#)

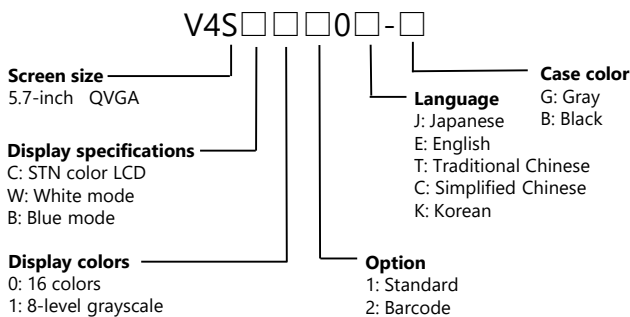
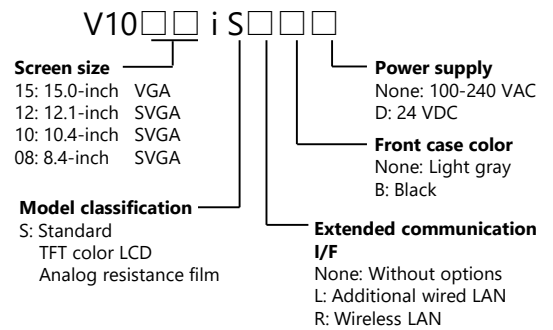
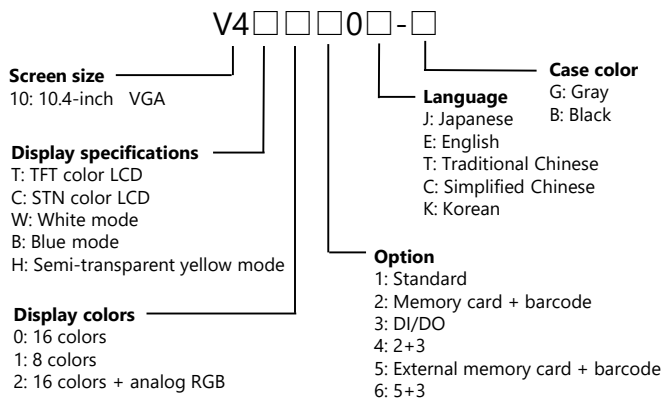
List of Recommended Replacement Models

Following is a list of V10 replacement models for V4 series. Please check the model of V4 unit in use and select the recommended replacement model.

Size	V4 model		V10 model		Refer to
	Gray	Black	Light Gray	Black	
10.4-inch VGA	V4Txxxx-G	V4Txxxx-B	V1010iS	V1010iSB	Page 3
	V4Cxxxx-G	V4Cxxxx-B			
	V4Wxxxx-G	V4Wxxxx-B			
	V4Bxxxx-G	V4Bxxxx-B			
	V4Hxxxx-G	V4Hxxxx-B			
5.7-inch QVGA	V4SCxxxx-G	V4SCxxxx-B	There are no 5.7-inch models in the V10 series. Use TS2060i which has the same size and resolution.	-	
	V4SWxxxx-G	V4SWxxxx-B			
	V4SBxxxx-G	V4SBxxxx-B			

* Models with few restrictions on use are described above list of recommended replacement models. It is also possible to replace V4 with V10 other than the recommended model. Select the model according to your system.

Model Description



- V4 → V10 Standard

The screen resolution differs between V4 and V10 Standard.

V4: 640 x 480 → V10: 800 x 600 dots

If the same resolution model is required, use the V9 Lite model.

When converting the screen program from V4 to V10, use automatic resizing feature of V-SFT. If the layout is changed, adjust it manually.

Panel cut-out dimensions vary. Use the optional mounting panel adaptor.



V4



V1010iS

Hardware Specifications

Item		V4
Dimensions W x H x D (mm)		328.0 x 240.0 x 97.0
Panel cut-out W x H (mm)		317.0(+0.5/-0) x 229.0(+0.5/-0)
Display device		TFT color/STN color/white mode blue mode/semi-transparent yellow mode
Display colors		16 colors/8 colors
Resolution		640 x 480 dots
Touch switch		Matrix resistance film
Communi- cation I/F	Serial	D-Sub 25-pin x1 : RS-232C / RS-422/485 Terminal block : RS-422/485
	Barcode	D-sub 9-pin x1 : RS-232C *6
External storage device		Dedicated memory card *6
RGB output		1CH *8
Power supply		85 to 265 VAC

V10 Standard
303.8 x 231.0 x 53.8
289.0(+0.5/-0) x 216.2(+0.5/-0) *1
TFT color
16.7 million colors *2
800 x 600 dots *3
Analog resistance film *4
D-Sub 9-pin x1 : RS-232C / RS-422/485 *5 Modular 8-pin x2 : RS-232C / RS-485
Modular 8-pin x2 : RS-232C *7
SD/SDHC/SDXC card USB flash drive
Under development Scheduled to be released in spring 2025.
100 to 240 VAC

*1 V10 can be mounted using the mounting adapter "PAD-V610". Refer to Page 4.

*2 Only for displaying "picture" images, 3D parts, video / RGB input images and remote desktop window. All other content is displayed using 65,536 colors.

*3 The resolution is SVGA. When converting the screen program, use automatic resizing feature of V-SFT. If the layout is changed, adjust it manually.

*4 It is not possible to press two points on the screen at the same time on V10. For two-point press, change the setting to use both a switch on the screen and a function switch.

*5 When using the existing cable, use Hakko Electronics' conversion cable "D9-D25". When the terminal block was used, use Hakko Electronics' optional unit "TC-D9".

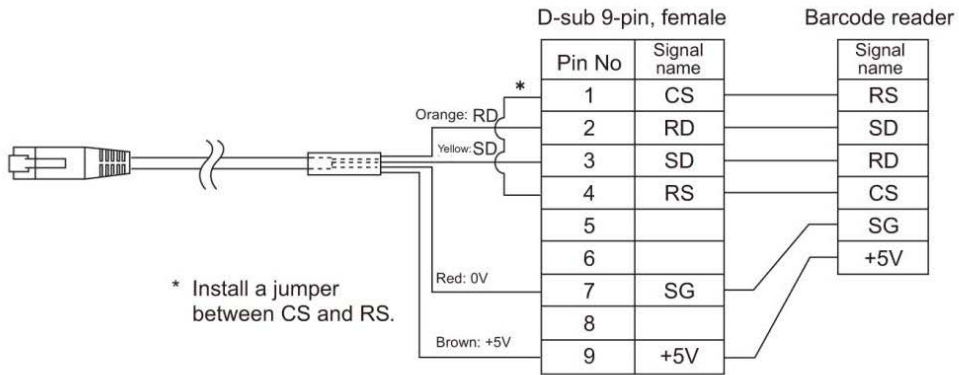
*6 Only for V4xx□0 (□:2,4,5,6)

*7 Use Hakko Electronics' cable "V6-BCD" and make a conversion cable between MJ ↔ D-sub 9-pin. For the wiring diagram, refer to Page 4.

*8 Only for V4T2x0

- For barcode reader: MJ ↔ Dsub-9 pin conversion cable wiring diagram

When replacing V4 with V10, use Hakko Electronics' cable "V6-BCD" and make a conversion cable between MJ ↔ D-sub 9-pin.



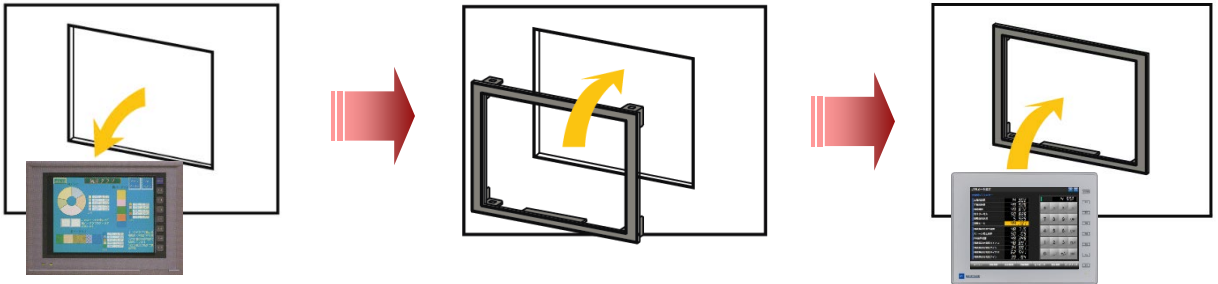
- Mounting panel adaptor (PAD-V610)

It is used to install V10 into the V4 panel cut-out hole.

1. Remove the V4 series unit from the panel.

2. Install the mounting panel adaptor.

3. Install a V10 series unit.



- Configuration Software

Model	Software	OS	Transferring cable *1
V4	V-SFT-5	Windows Vista (32bit, 64bit) Windows 7 (32bit, 64bit) Windows 8 (32bit, 64bit)	- GD-CPV cable *2 - V-CP cable (MJ to Dsub9) + ADP25-M adaptor manufactured by Hakko Electronics Co., Ltd.
V10	V-SFT-6 Supported with version 6.2.0.0 or later	Windows 8.1 (32bit, 64bit) Windows 10 (32bit, 64bit) Windows 11(64bit)	- USB cable (USB mini-B to USB-A) - LAN cable *3 - V-CP (MJ to Dsub9) manufactured by Hakko Electronics Co., Ltd.

*1 The screen program can be transferred via SD card/USB flash drive when using V10 and dedicated memory card when using V4xx□(□: 2,4,5,6).

*2 GD-CVP cable can be made by the user. For wiring details, refer to the Hardware Specifications Manual for the V4 series.

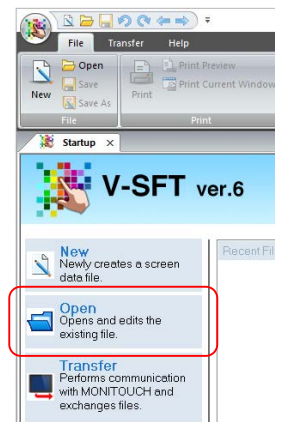
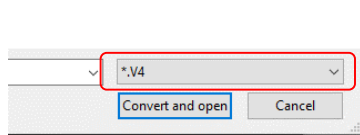
*3 LAN connector of V10 supports Auto-MDIX. Straight/crossover cables can be used with or without HUB.

- Screen Program Conversion

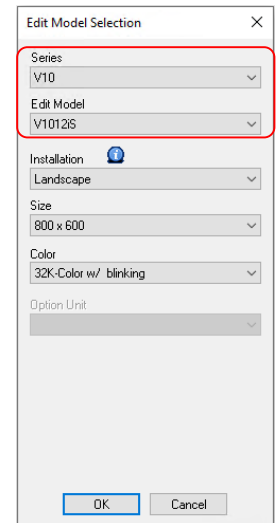
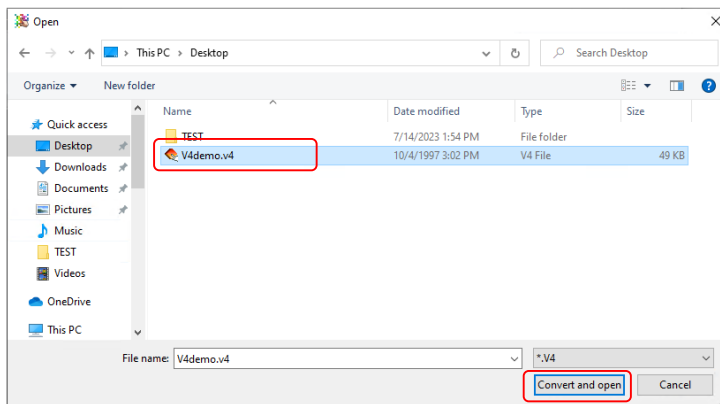
The screen program can be converted from V4 to V10 using V-SFT-6 (configuration software for V series).

- Conversion procedures

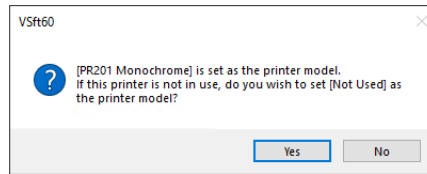
1. Start V-SFT and click [Open] in the Startup menu or [Open] in the [File] menu. The screen program file can also be opened by dragging it onto V-SFT-6. If using this method, proceed to step 4.
2. Change the file extension to [*.V4] in the [Open] dialog.



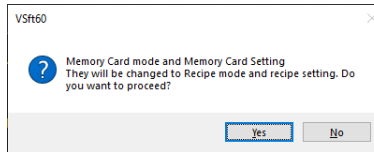
3. Select the V4 series screen program file and click [Convert and open]. The [Edit Model Selection] dialog appears.
4. Select the V10 series model and click [OK].



- The dialog on the right may be displayed.
When connecting to a printer : Click [Yes]
When not connecting to a printer : Click [No]

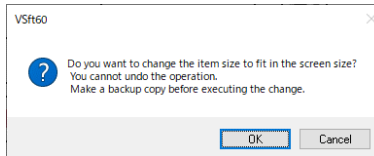


- The dialog on the right may be displayed.
Click [Yes].



* The data conversion in the storage device is required. Refer to the Memory Card Mode Conversion Manual.

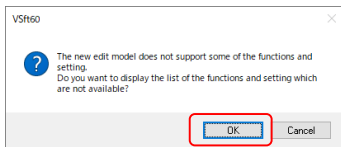
- When converting the program with different resolution, the dialog shown to the right will appear.
When enlarging parts: Click [Yes]
When not enlarging parts: Click [No]



* If the layout is changed, adjust it manually.

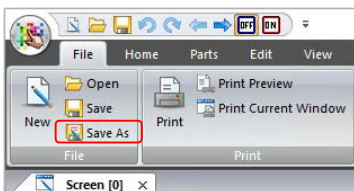
- The following dialog may be displayed.
Click [Yes] to display the error check window and check the functions and setting which are not available.
Check [solution] and modify it.

If the same warning message appears even in the V4 screen program before conversion, the warning does not affect the program and you can use it without modification.



Error Check				
		0 Error	2 Warning	
Category	Location	Explanation	Solution	
Warning	Overlap Library [7]	Normal Overlap	Overlap larger than the screen is created.	Set the overlap
Warning	Overlap Library [8]	Normal Overlap	Overlap larger than the screen is created.	Set the overlap

- The screen program converted to V10 series is displayed on V-SFT. Name and save the file.



The converted V10 screen program cannot be converted back to the V4 screen program. Confirm the operation with the V10 series unit before use.